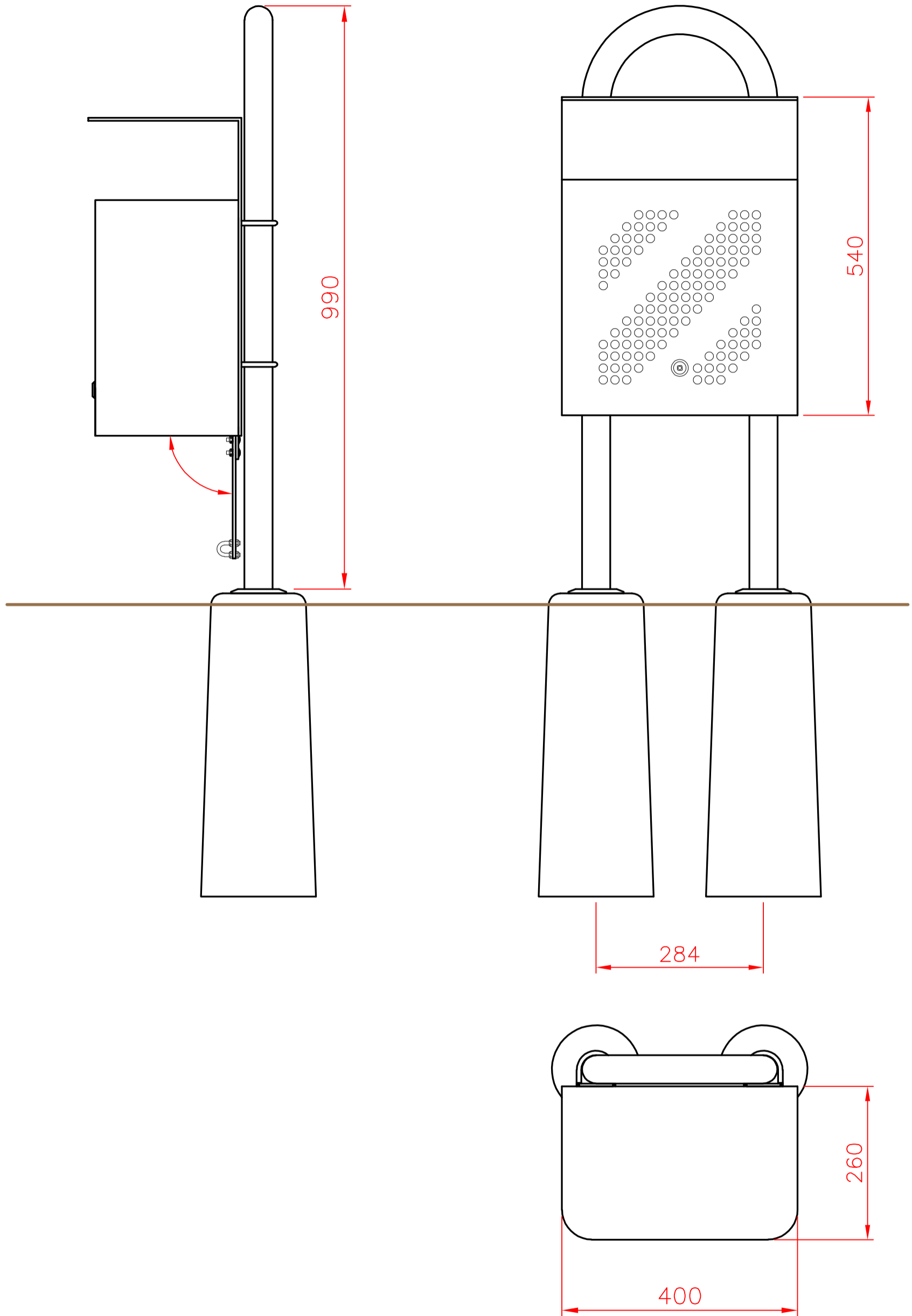


WELAND ALUMINIUM AB  
 This document must not be copied without our written permission and the contents thereof must not be imparted to a third party nor be used for any unauthorized purpose. Contravention will be prosecuted.

Nr.	Ant.	Ändring och/eller medd.-nr	Datum	Inf.	Godk.
-----	------	----------------------------	-------	------	-------



-		-		-		-		-	
Det.nr	Ant.	Benämning			Material	Mod.nr ämne Dimension	Anm.		
Konstr.	Ritad	Kop.	Kontr.	Stand.	Format	Skala	Generell tolerans		
-	AÅ	-	-	-	A4	1:8	-		
<b>WELAND</b> UTEMILJÖ		HEDE PAPPERSKORG inkl båge och plintar 500-20201000				Objektnummer	Datum		
BJÖRNSTORPSVÄGEN 2 TFN 0472-44500 342 30 ALVESTA						-	20121114		
						Ritningsnummer	Rev.		
						HEDE inkl båge	-		