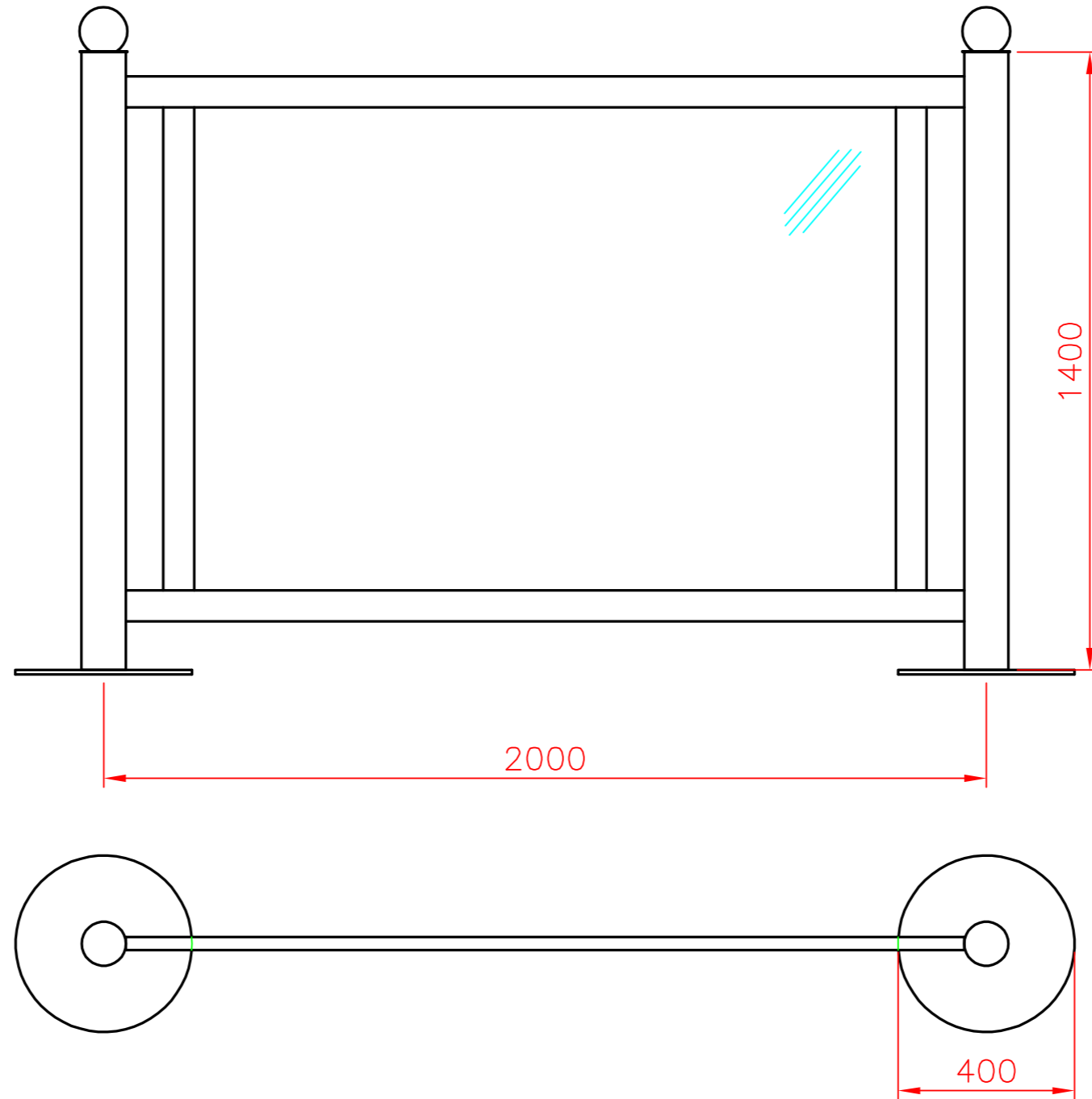


This document must not be copied without our written permission and the contents thereof must not be imparted to a third party nor be used for any unauthorized purpose. Contravention will be prosecuted.



—	—	—	—	—	—	—	—	—	—
Det.nr	Ant.	Benämning			Material	Mod.nr ämne Dimension	Anm.		
Konstr.	Ritad	Kop.	Kontr.	Stand.	Godk.	Skala	Ersätter	Ersatt av	
—	AL					1:20			
WELAND UTEMILJÖ		RESTAURANGSTAKET GLASAT STAKET HÖJD=1400 GRUNDSEKTION – KLOT				Objektnummer	Datum		
BJÖRNSTORPSVÄGEN 2 TFN 0472-44500 342 30 ALVESTA						—	120108		
Nr.	Ant.	Ändring och/eller medd.-nr	Datum	Inf.	Godk.	Ritningsnummer	Rev.		
						R00GK00140200FG			